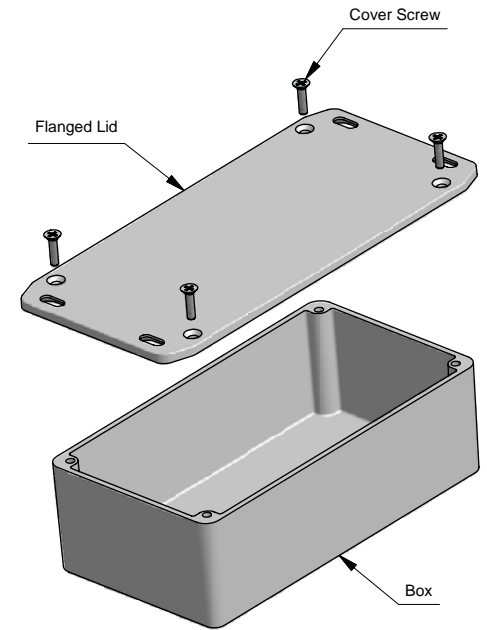
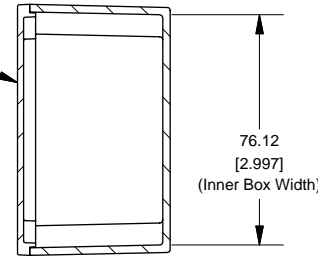
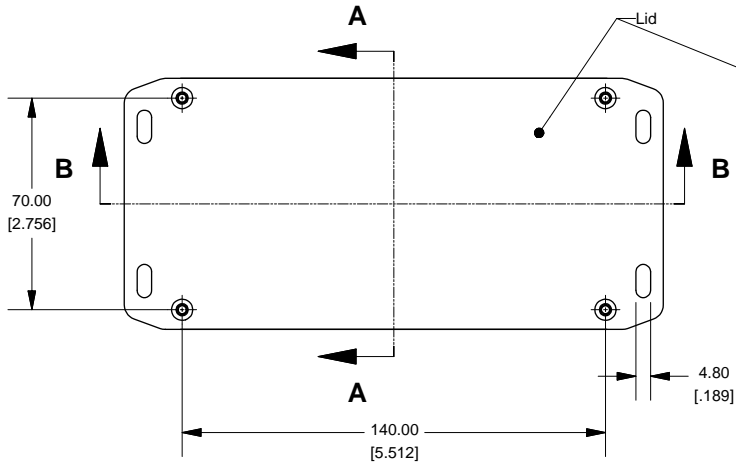


### Top View of Assembly

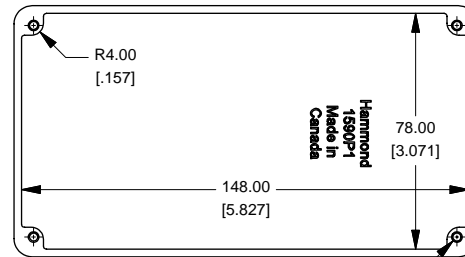
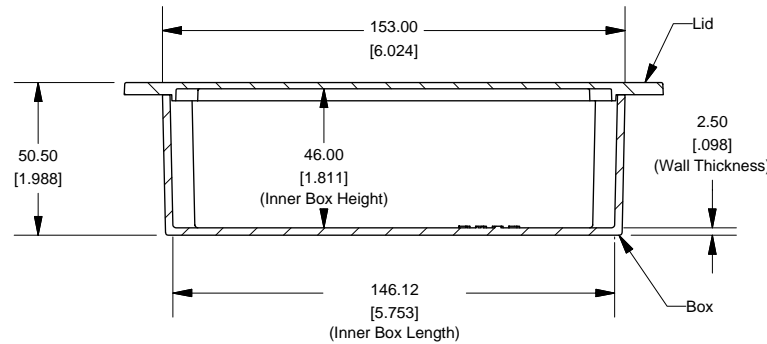
### SECTION A-A End View of Assembly

## Series 1590P1 (Flanged Lid)



### SECTION B-B Side View of Assembly

### Top View Looking Inside Box

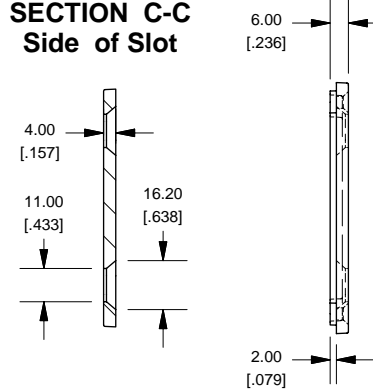
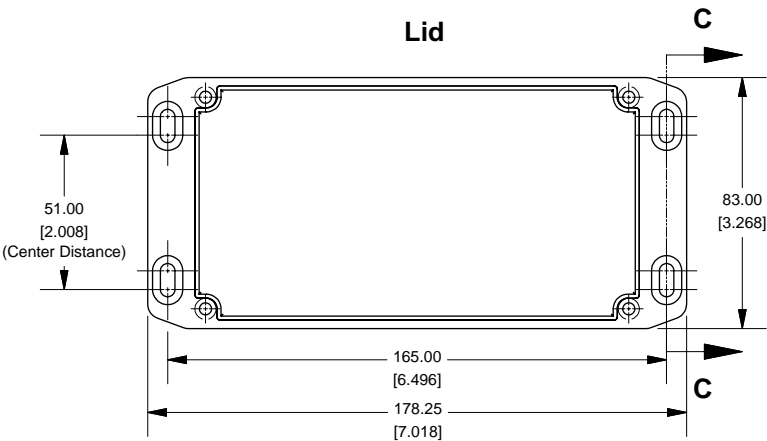


6-32 UNC - 2B  $\nabla$  11.00  
 $\nabla$   $\phi$ 3.50  $\nabla$  3.00  
(Threaded Holes)

**NOTE**  
Purchased assembly includes box, lid and 4 cover screws.  
Box and lid are made from Diecast Aluminum Alloy (alloy type 360.1).

### Lid

### SECTION C-C Side of Slot



PART NUMBERS	
<b>1590P1FL Enclosure</b>	
Unfinished	1590P1FL
Black Textured Powder Paint	1590P1FLBK
<b>1590P1FL Liquid Resistant Enclosure (Silicon Factory Installed Gasket)</b>	
Unfinished	1590WP1FL
Black Textured Powder Paint	1590WP1FLBK
<b>ACCESSORIES</b>	
<b>Unfinished</b>	
Cover Screws (Pkg 100) [6-32 x 1/2" Nickel Plated Screws]	1590MS100
<b>Black Textured Powder Paint</b>	
Cover Screws (Pkg 50) [6-32 x 1/2" Stainless Steel Black Screws]	1590MS50BK



www.hammondmfg.com